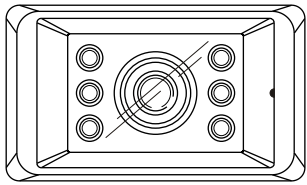


# Voyager<sup>®</sup>

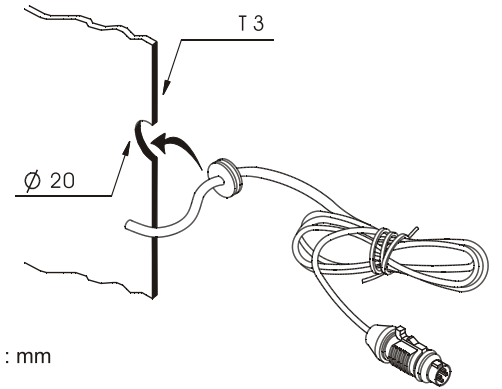
## NTSC SYSTEM VCCS130



### VCCS130 Features:

- High Resolution, 1/3" CCD Color Camera
- Compact / Lightweight Aluminum Die Cast Body
- Waterproof Design
- Microphone
- Normal / Mirror Image switch
- Adjustable Mounting Angle
- Wide Angle Lens
- Aluminum Bracket and SS. Hardware included
- IR LED Low Light Enhancement

### Recommended grommet Hole & Mtg. thickness

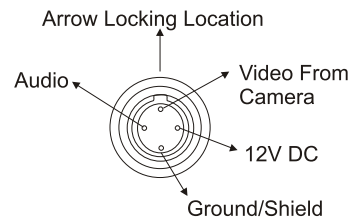
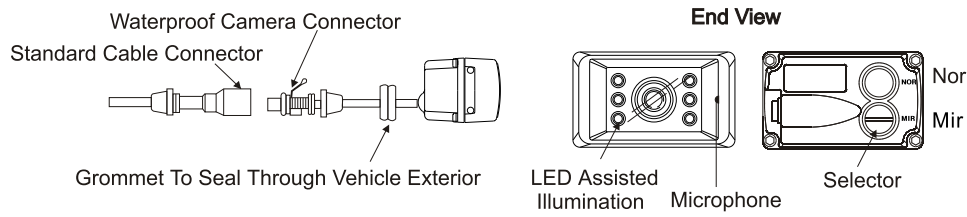


Unit : mm

### Contents:

Camera  
Bracket  
Hardware Kit

### Installation and Pin Out:



### Camera to bracket hardware

Specifications	Qty
Hex Socket Head M4X10L Stainless screws	4
Spring Washers 4X7X1.2mm Stainless	4
Flat Washers 4x10x.5mm Stainless	4
Allen wrench	1

### Bracket to vehicle hardware

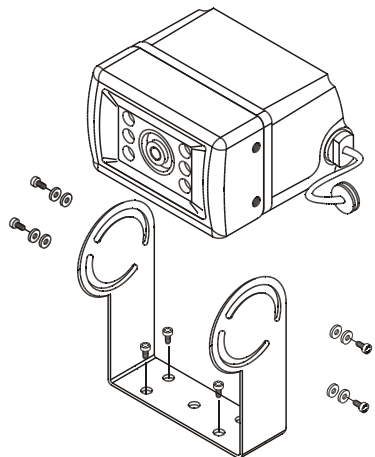
Specifications	Qty
Tapping P/H W/Washer 5X16mm Stainless screws	4
Machine Screw T/H M5X16mm Stainless	4
Locking nuts M5 stainless	4

### Installation

#### Screw For Use

Hex Socket Head M4X10L Stainless screws  
Spring Washers 4X7X1.2mm Stainless  
Flat Washers 4x10x.5mm Stainless  
Allen wrench

Tapping P/H W/Washer 5X16mm Stainless screws  
Machine Screw T/H M5X16mm Stainless  
Locking nuts M5 stainless

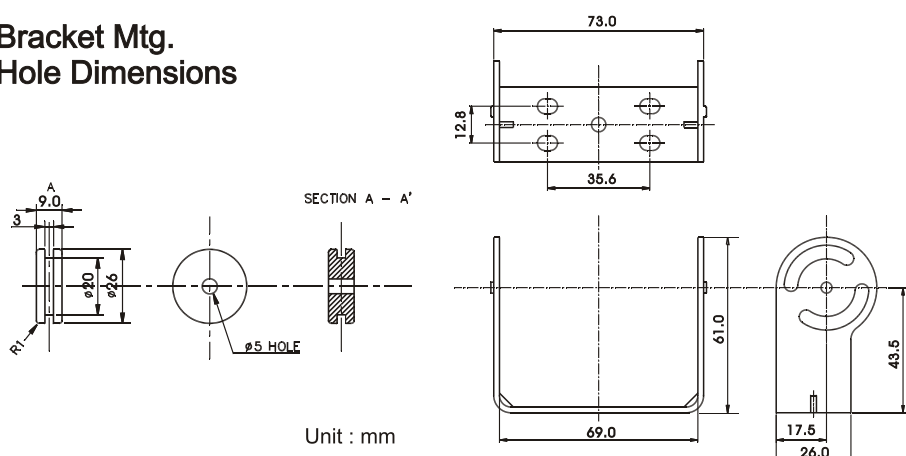


### Specifications

Signal System : NTSC  
Image Sensor : 1/3" Color CCD W/electronic auto-iris  
270K pixels  
Viewing Angle : 104°(H), 78°(V)  
Outer Dimensions : 68 (W) X 40 (H) X 64 (D) mm  
2.7 (W) X 1.6 (H) X 2.6 (D) Inch  
Weight : 0.34kg/ 0.6lbs

\* Specifications are subject to change without notice.

### Bracket Mtg. Hole Dimensions



Unit : mm

AUDIOVOX SPECIALIZED APPLICATIONS, L.L.C.  
www.asaelectronics.com